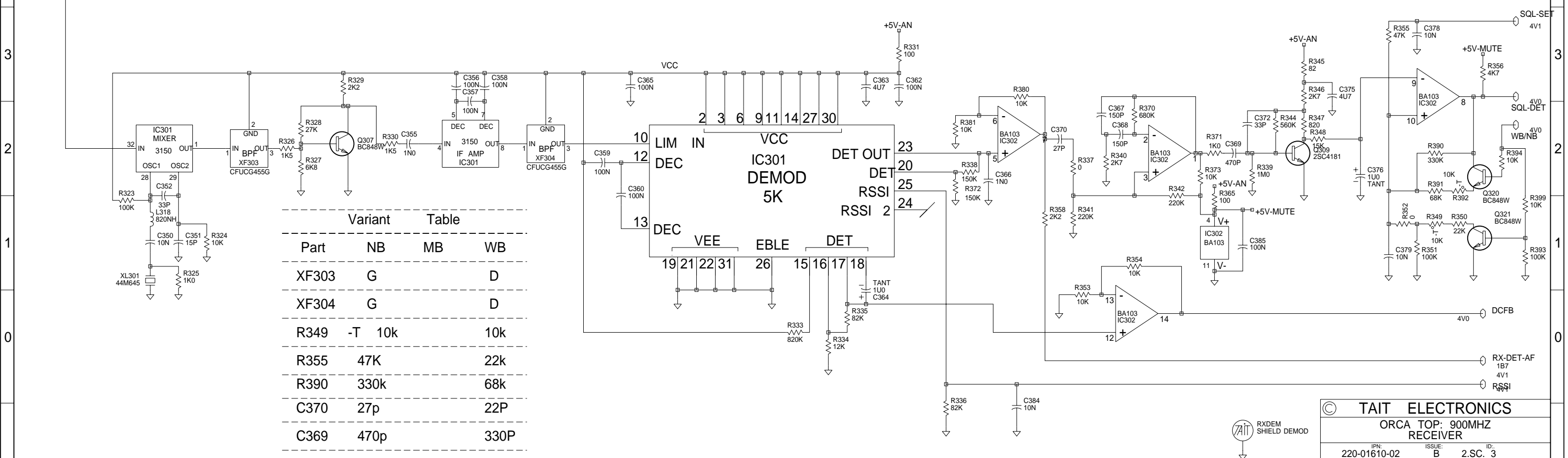
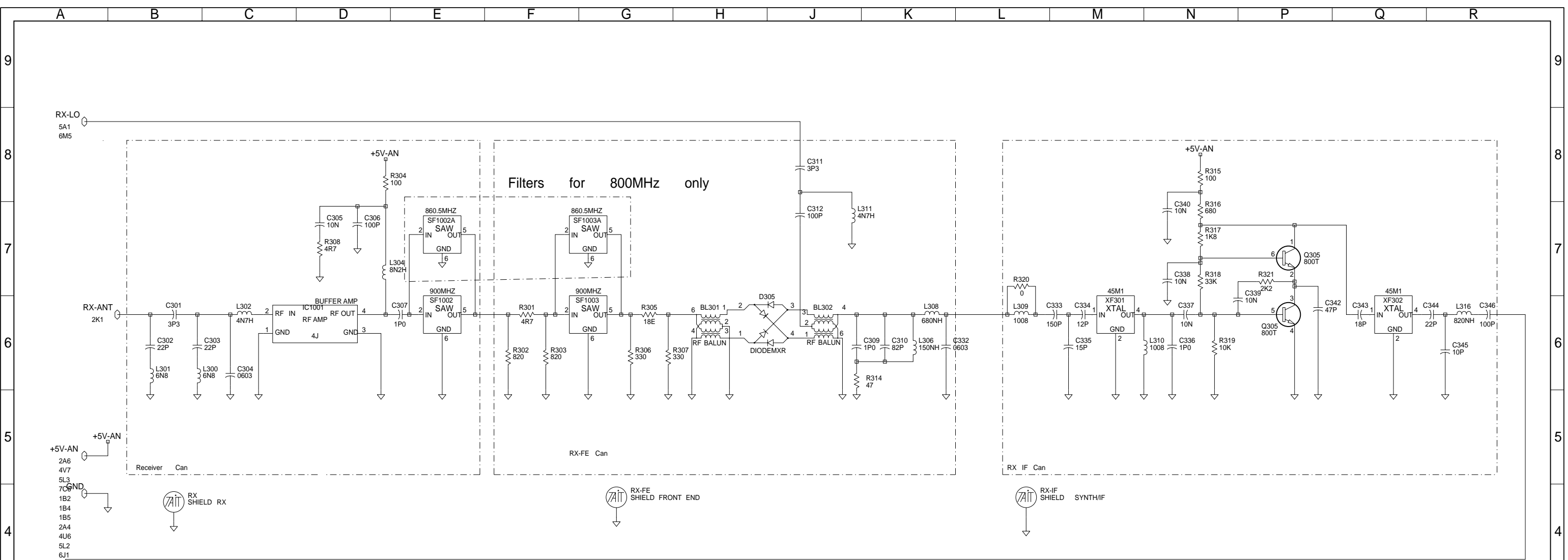


Note: Values in schematic are for 900MHz unless stated otherwise.
 For 800MHz values refer to the latest BaaN BOM.

L121 L122 L123 150n 1008

TAIT ELECTRONICS			
ORCA TOP: 900MHZ POWER AMPLIFIER			
IPN: 220-01610-02	ISSUE: B	ID: 2.S.C. 2	
PROJECT: ORCA	DESIGNER: BRD	FILE NAME: 161002b	FILE DATE: 24-Aug-99
NO. SHEETS: 7			

REV/ISS	AMENDMENTS	DRAWN	CHKD	D.O.	APVD	DATE
A						



Variant Table

Part	NB	MB	WB
XF303	G		D
XF304	G		D
R349	-T	10k	10k
R355	47K		22k
R390	330k		68k
C370	27p		22P
C369	470p		330P

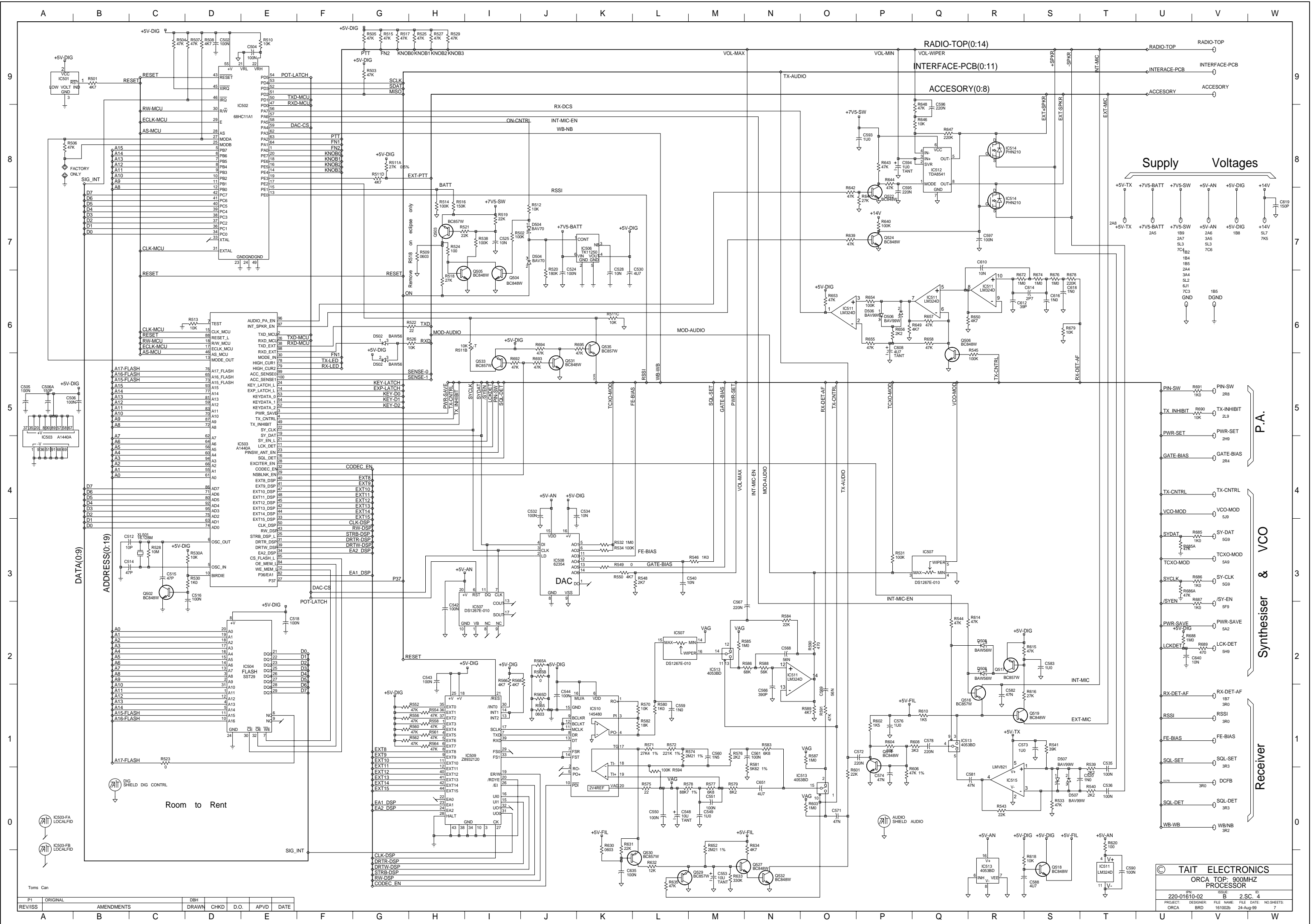
REV/ISS	AMENDMENTS	DRAWN	CHKD	D.O.	APVD	DATE

TAIT ELECTRONICS

ORCA TOP: 900MHZ RECEIVER

IPN: 220-01610-02 ISSUE: B ID: 2.S.C. 3

PROJECT: ORCA DESIGNER: BRD FILE NAME: 161002b FILE DATE: 24-Aug-99 NO.SHEETS: 7



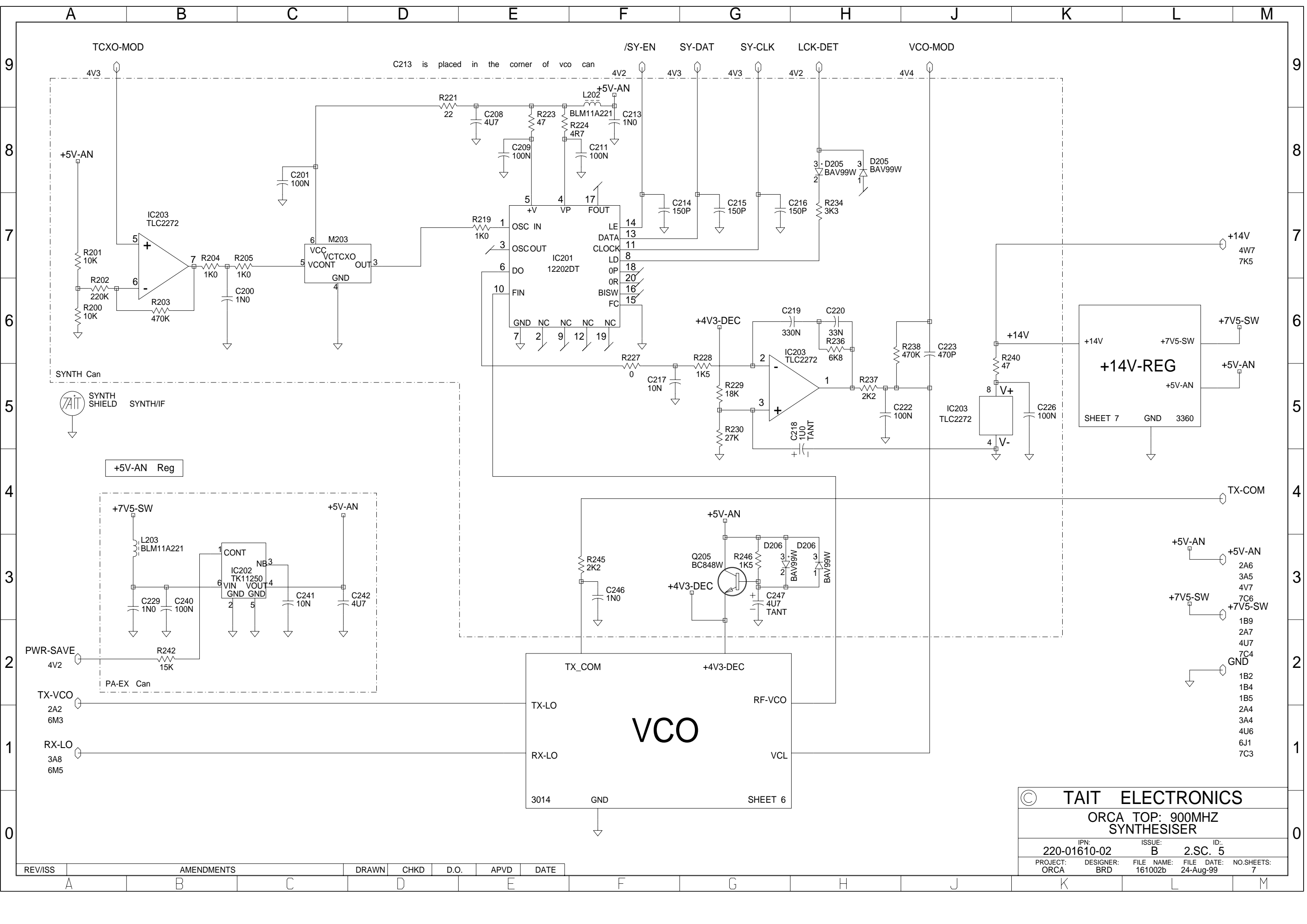
© TAIT ELECTRONICS
 ORCA TOP: 900MHZ
 PROCESSOR
 220-01610-02 B 2-SC 4
 PROJECT DESIGNER FILE NAME FILE DATE NO SHEETS
 ORCA BRD 161002b 24-Aug-99 7

REV/ISS	ORIGINAL	AMENDMENTS	DRAWN	CHKD	D.O.	APVD	DATE
A							

P1 ORIGINAL DBH
 Toms Can

P.A.
 Synthesiser & VCO
 Receiver

Room to Rent



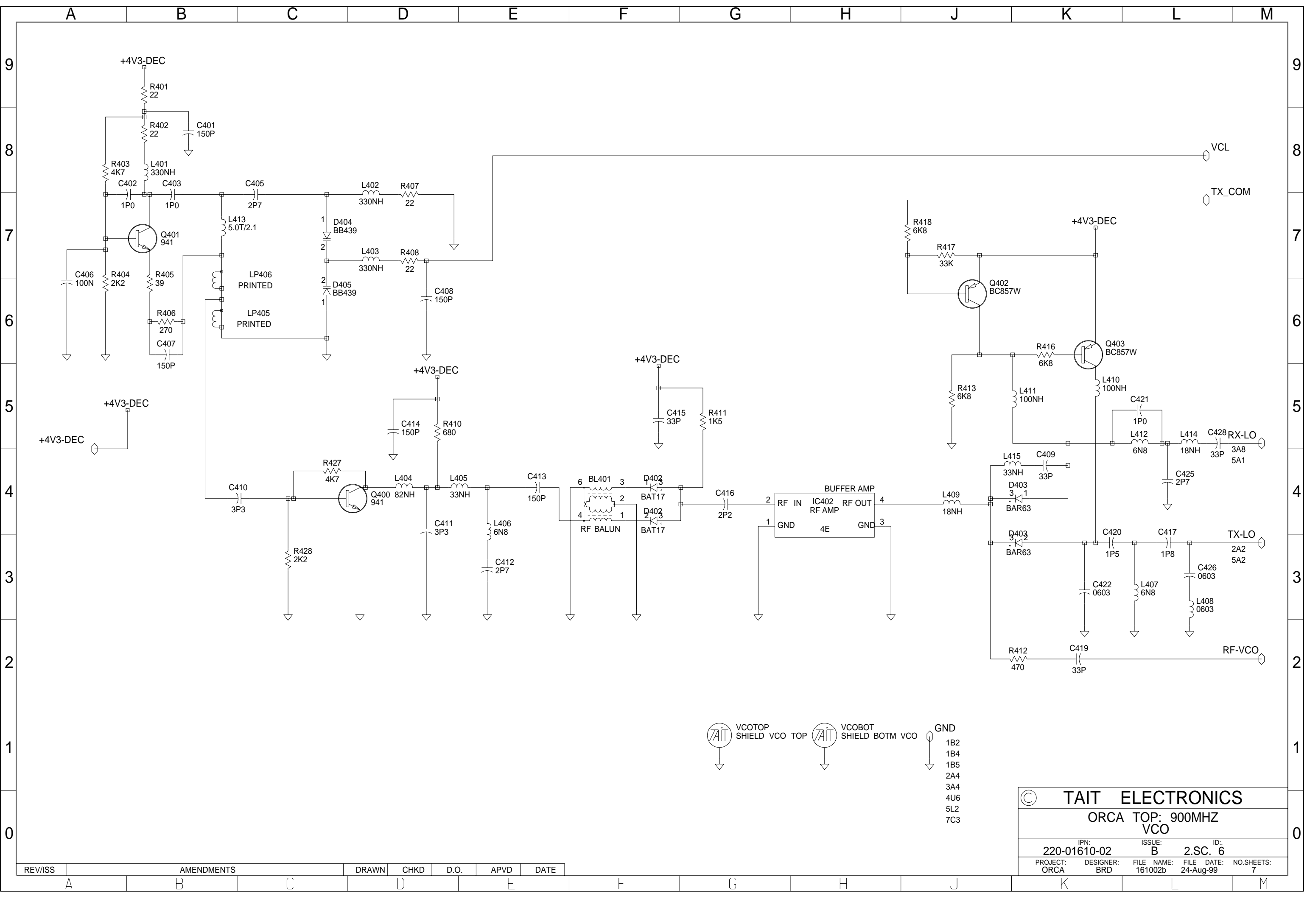
C213 is placed in the corner of vco can

+14V-REG

VCO

© TAIT ELECTRONICS				
ORCA TOP: 900MHZ SYNTHESISER				
IPN: 220-01610-02	ISSUE: B	ID: 2.SC. 5		
PROJECT: ORCA	DESIGNER: BRD	FILE NAME: 161002b	FILE DATE: 24-Aug-99	NO.SHEETS: 7

REV/ISS	AMENDMENTS	DRAWN	CHKD	D.O.	APVD	DATE

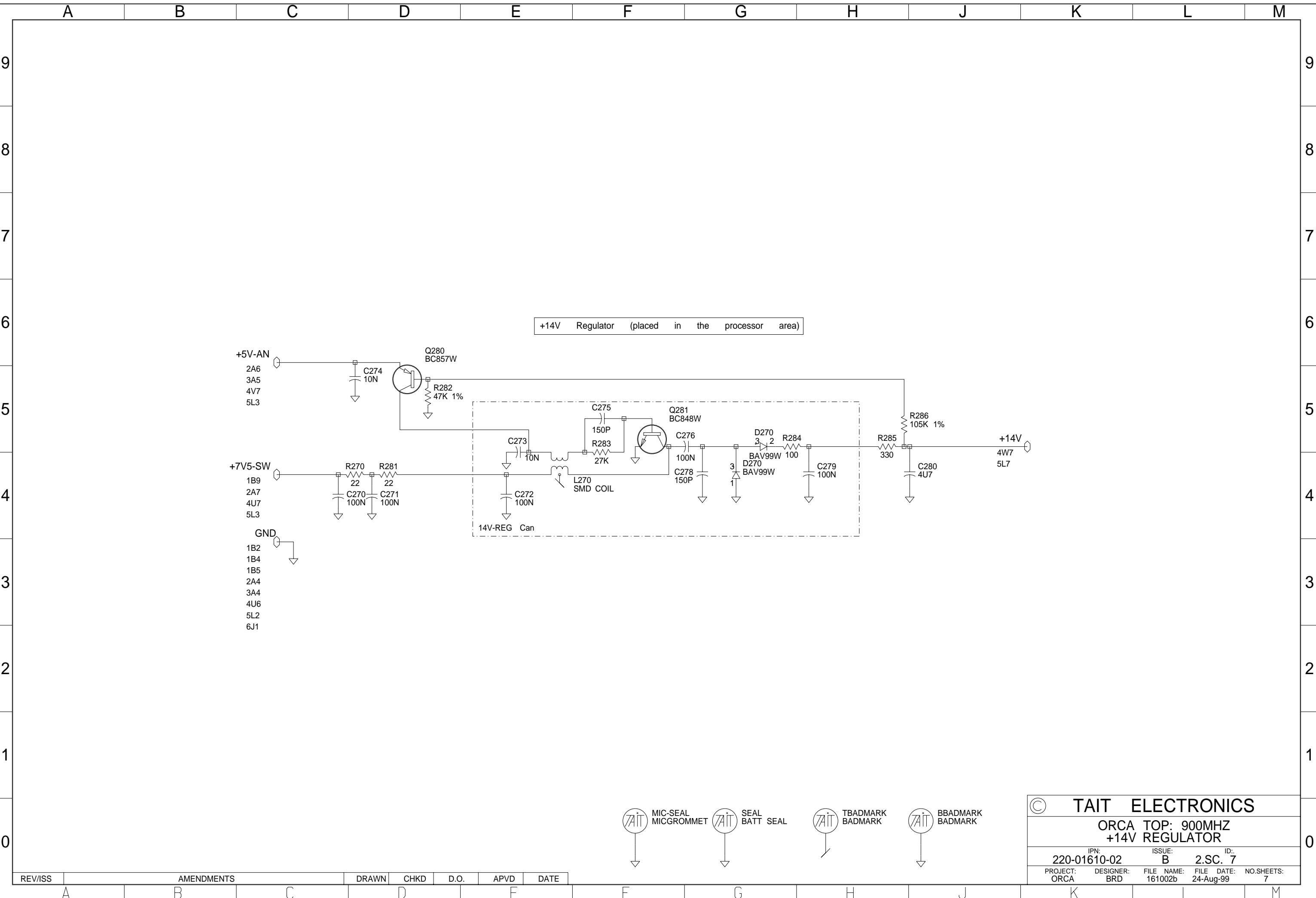


VCOTOP SHIELD VCO TOP
 VCOBOT SHIELD BOTM VCO
 GND

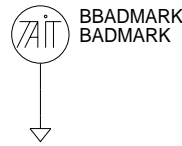
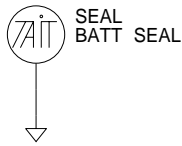
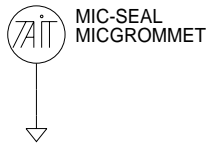
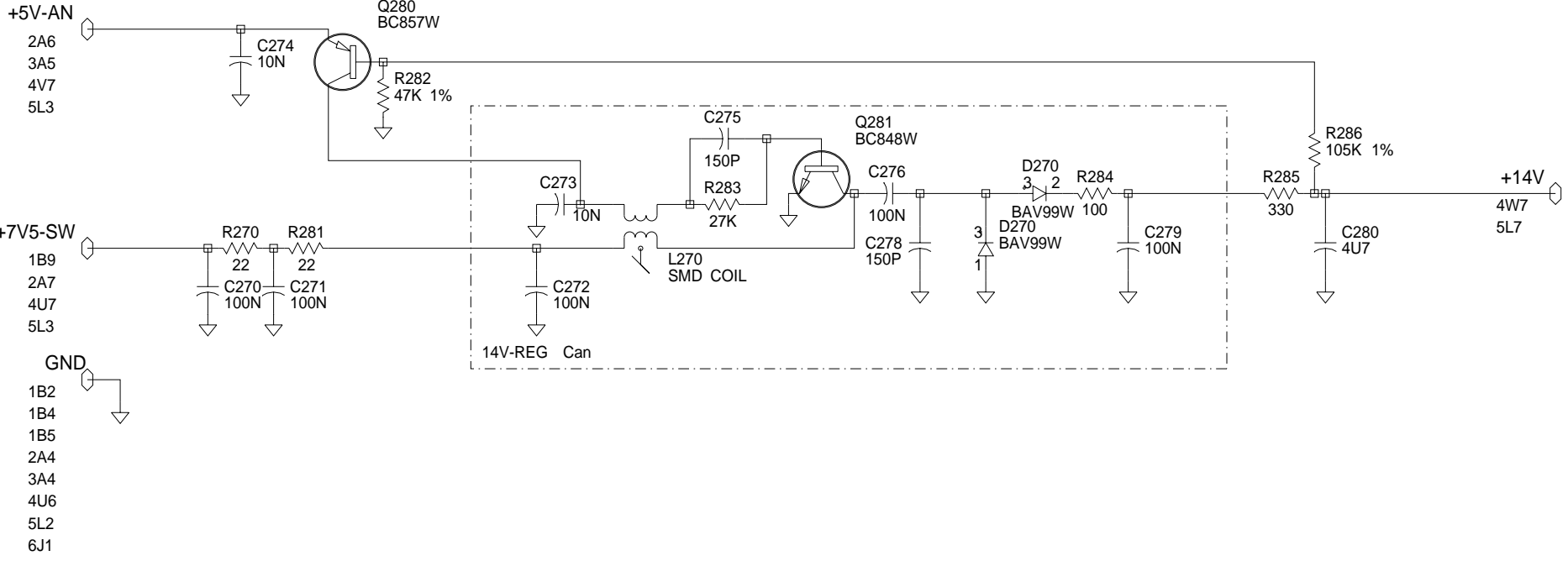
- 1B2
- 1B4
- 1B5
- 2A4
- 3A4
- 4U6
- 5L2
- 7C3

© TAIT ELECTRONICS
 ORCA TOP: 900MHZ VCO
 IPN: 220-01610-02 ISSUE: B ID: 2.SC. 6
 PROJECT: ORCA DESIGNER: BRD FILE NAME: 161002b FILE DATE: 24-Aug-99 NO.SHEETS: 7

REV/ISS	AMENDMENTS	DRAWN	CHKD	D.O.	APVD	DATE



+14V Regulator (placed in the processor area)



© TAIT ELECTRONICS				
ORCA TOP: 900MHZ +14V REGULATOR				
IPN:	ISSUE:	ID:		
220-01610-02	B	2.SC. 7		
PROJECT:	DESIGNER:	FILE NAME:	FILE DATE:	NO.SHEETS:
ORCA	BRD	161002b	24-Aug-99	7

REV/ISS	AMENDMENTS	DRAWN	CHKD	D.O.	APVD	DATE
---------	------------	-------	------	------	------	------